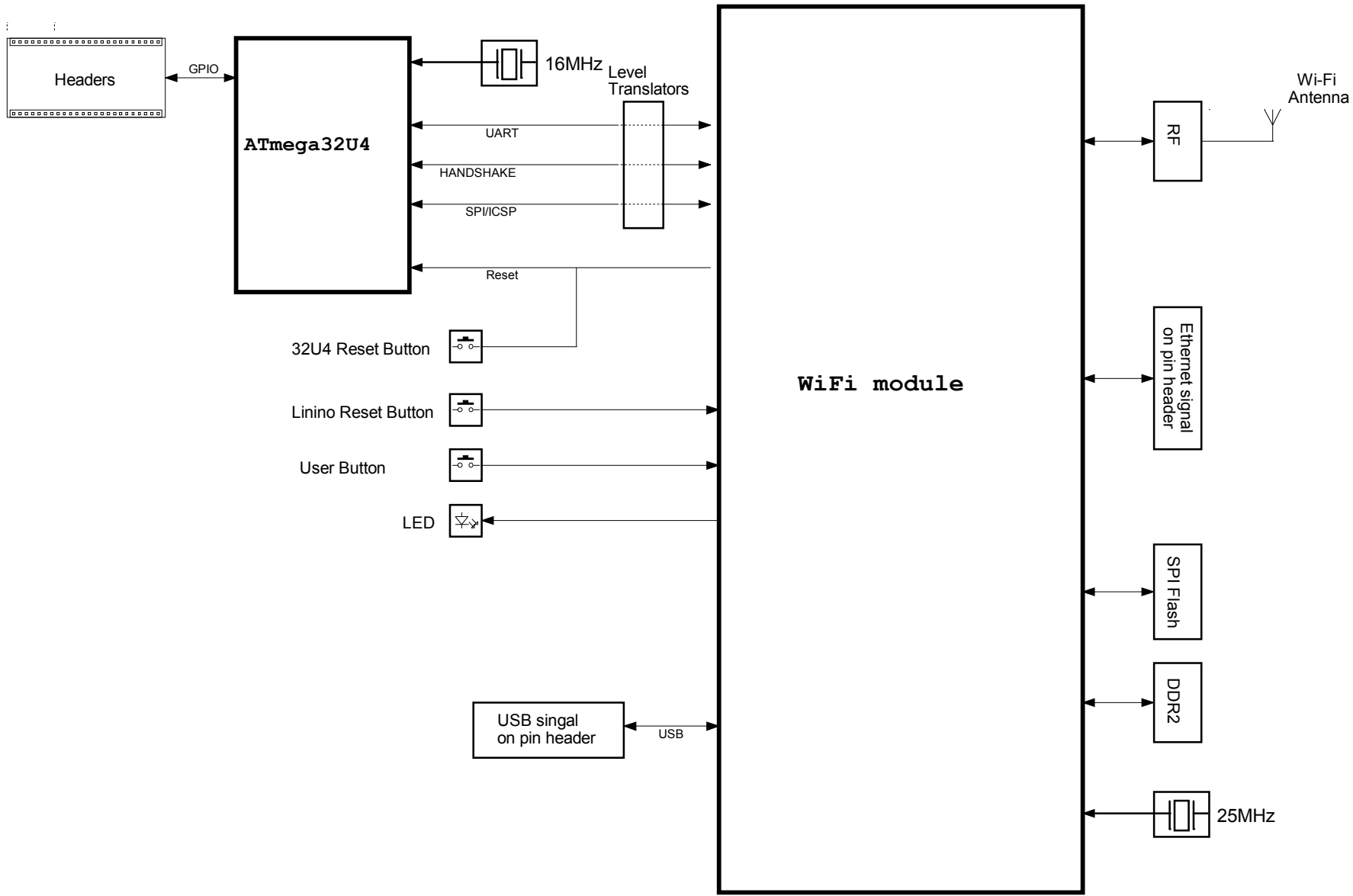
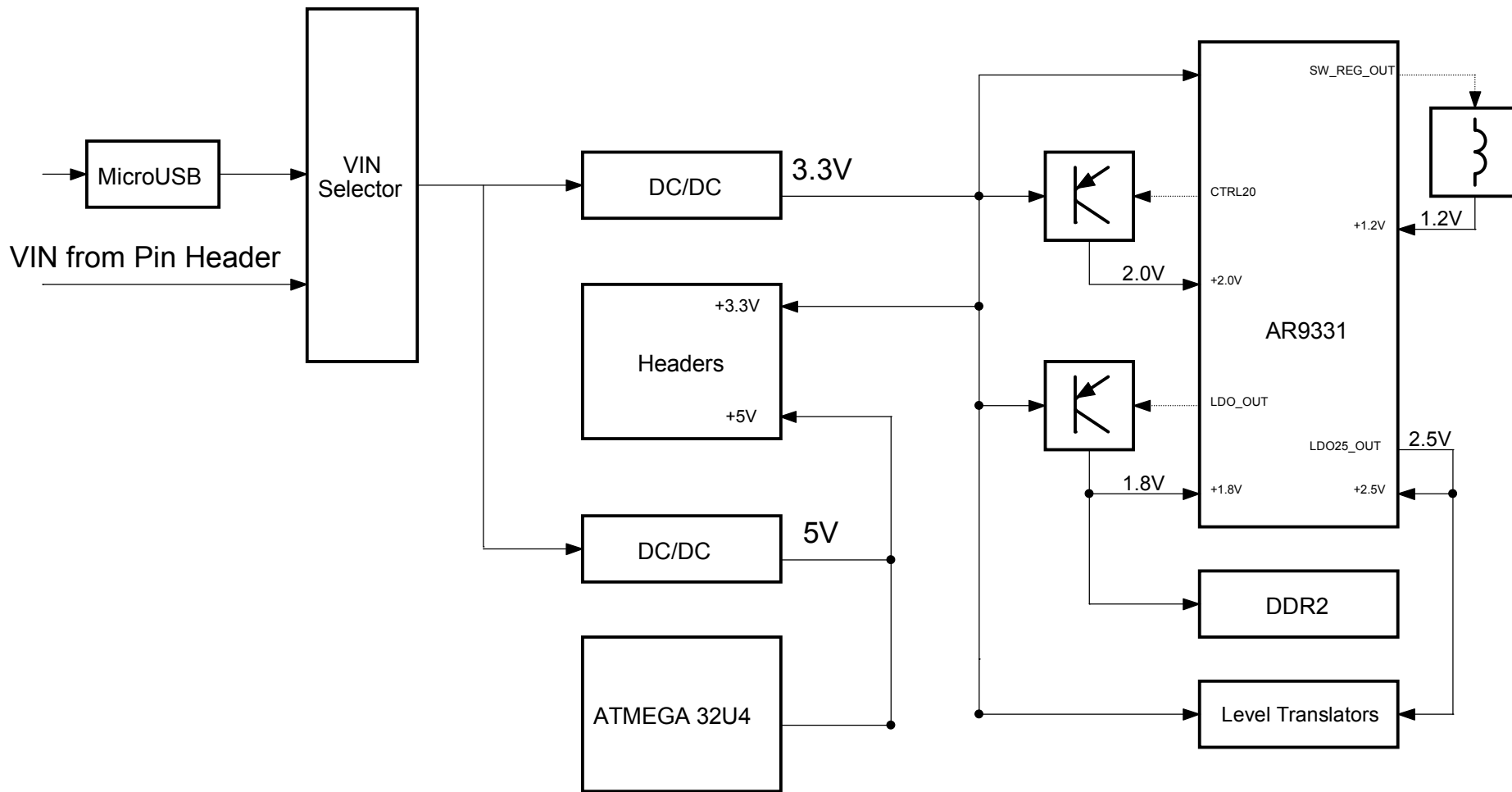
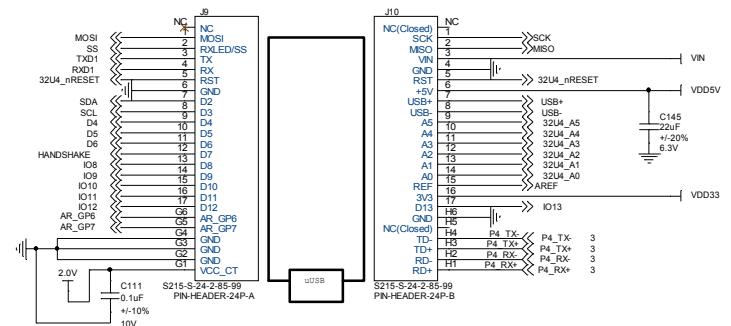
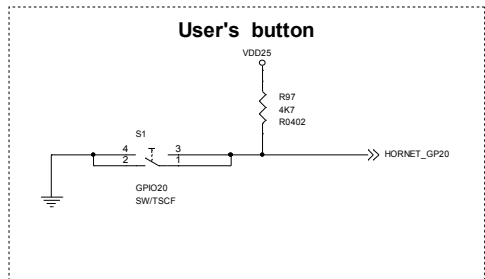
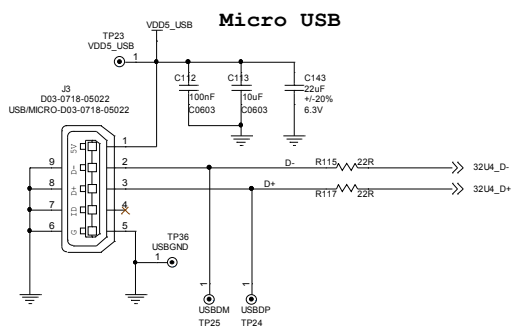
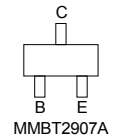
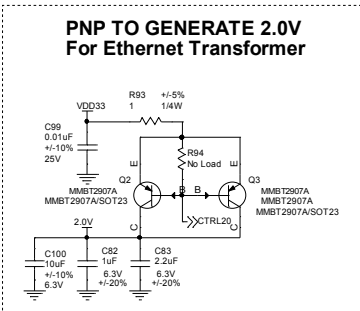
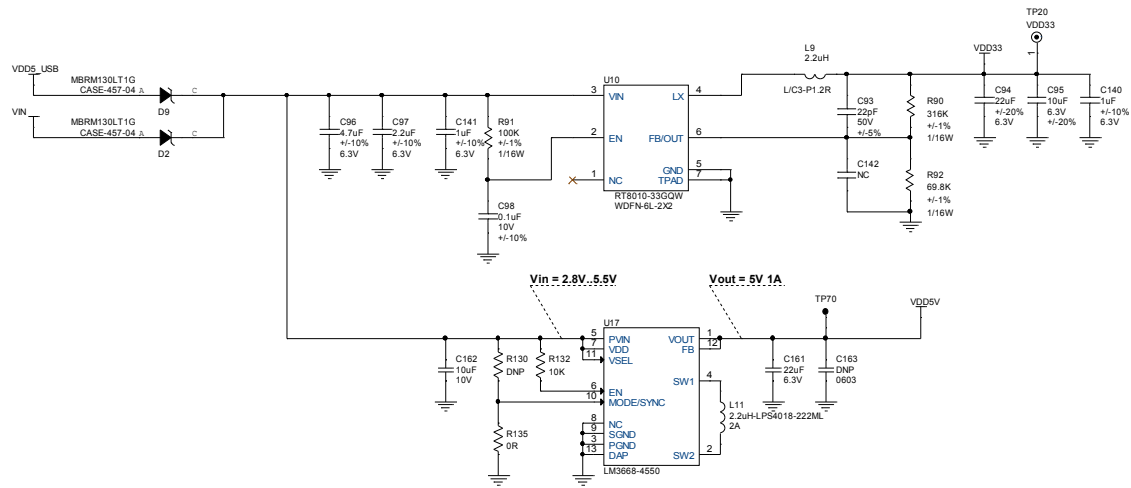


# YUN Mini Block Diagram



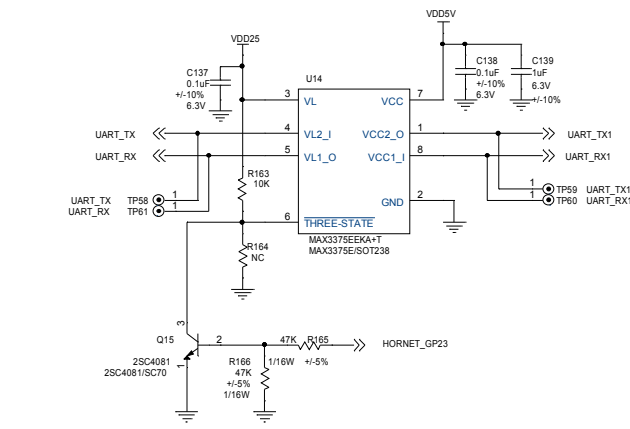
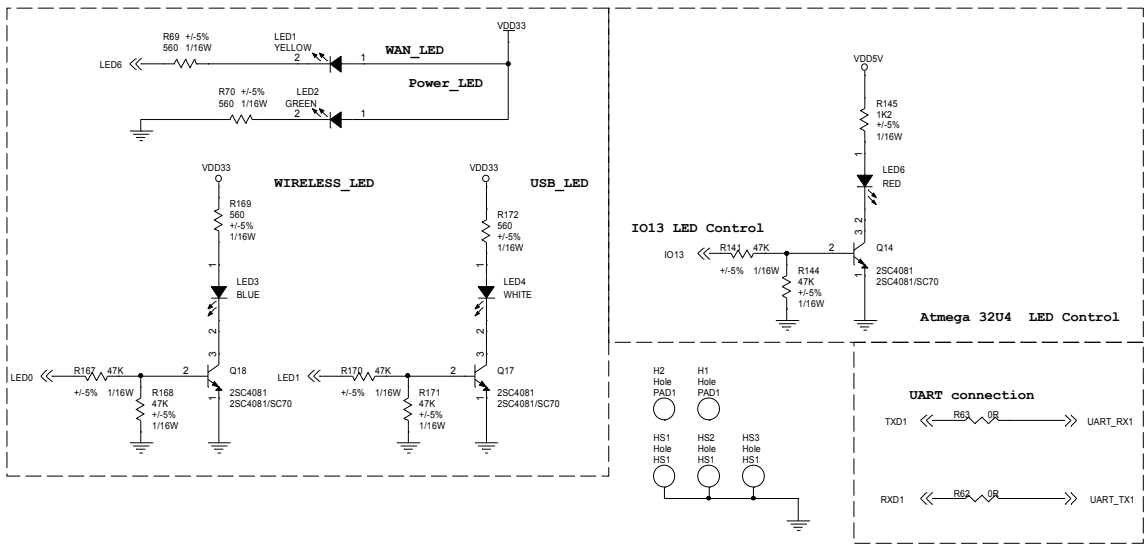
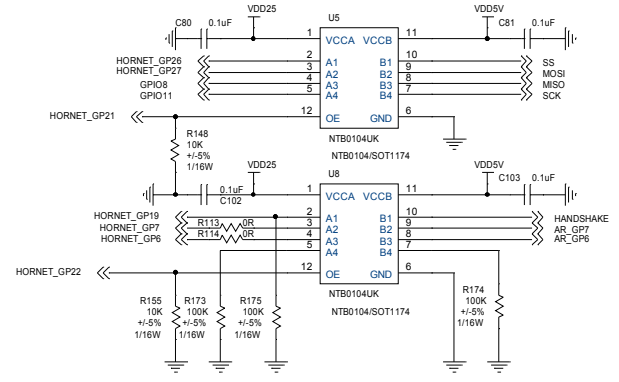
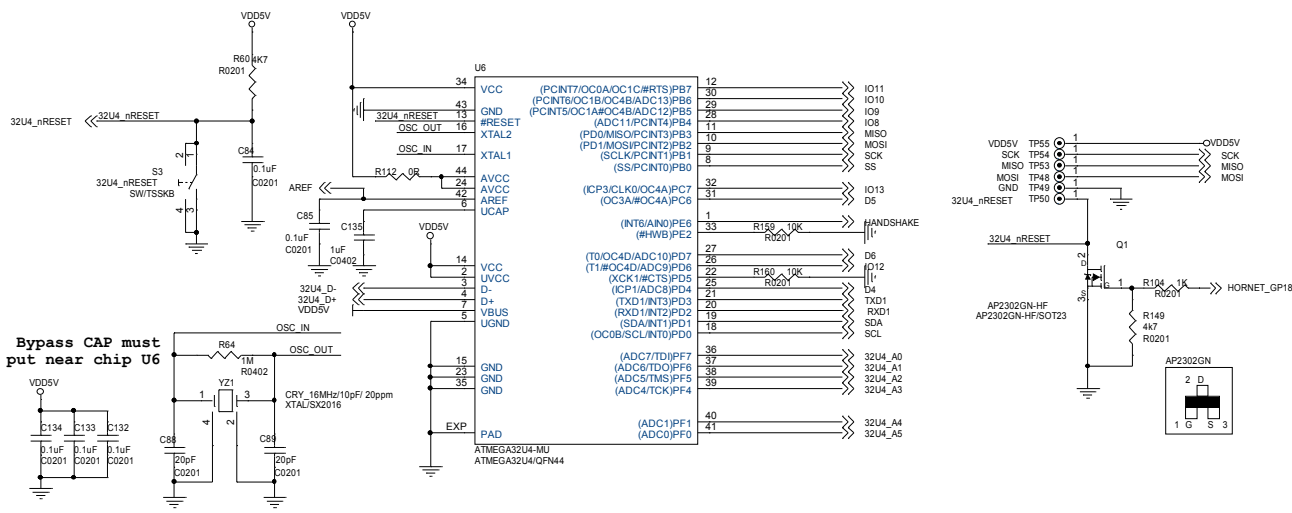




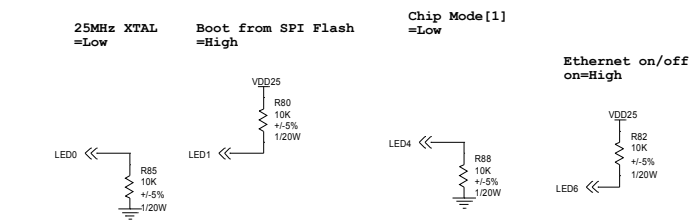
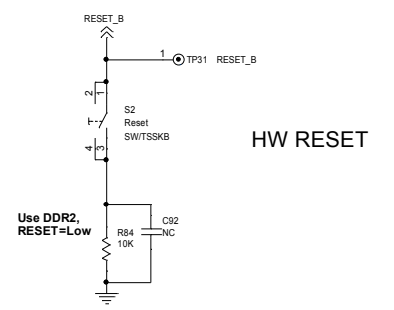
**Author** = Tony Jin  
dog hunter Inc.

8F-4, No.17, Ln. 91, Sec. 1,  
Neihu Rd., Neihu Dist., Taipei City  
Taiwan (R.O.C.)

File		Power	
Size	Document Number	Rev	
YUN MINI			
Date:	Wednesday, April 08, 2015	Sheet	2 of 13



**Trade-offs:**  
 Nets name LED0, LED1, LED2, LED3, LED4, LED6 are also for Boot-strap during power on.  
 To avoid wrong voltage applied on the IO pin from LED, these GPIOs should be source current only.  
 The rest LEDs are using sink current mode to reduce the Hornet internal 2.5V LDO loading (thermal).

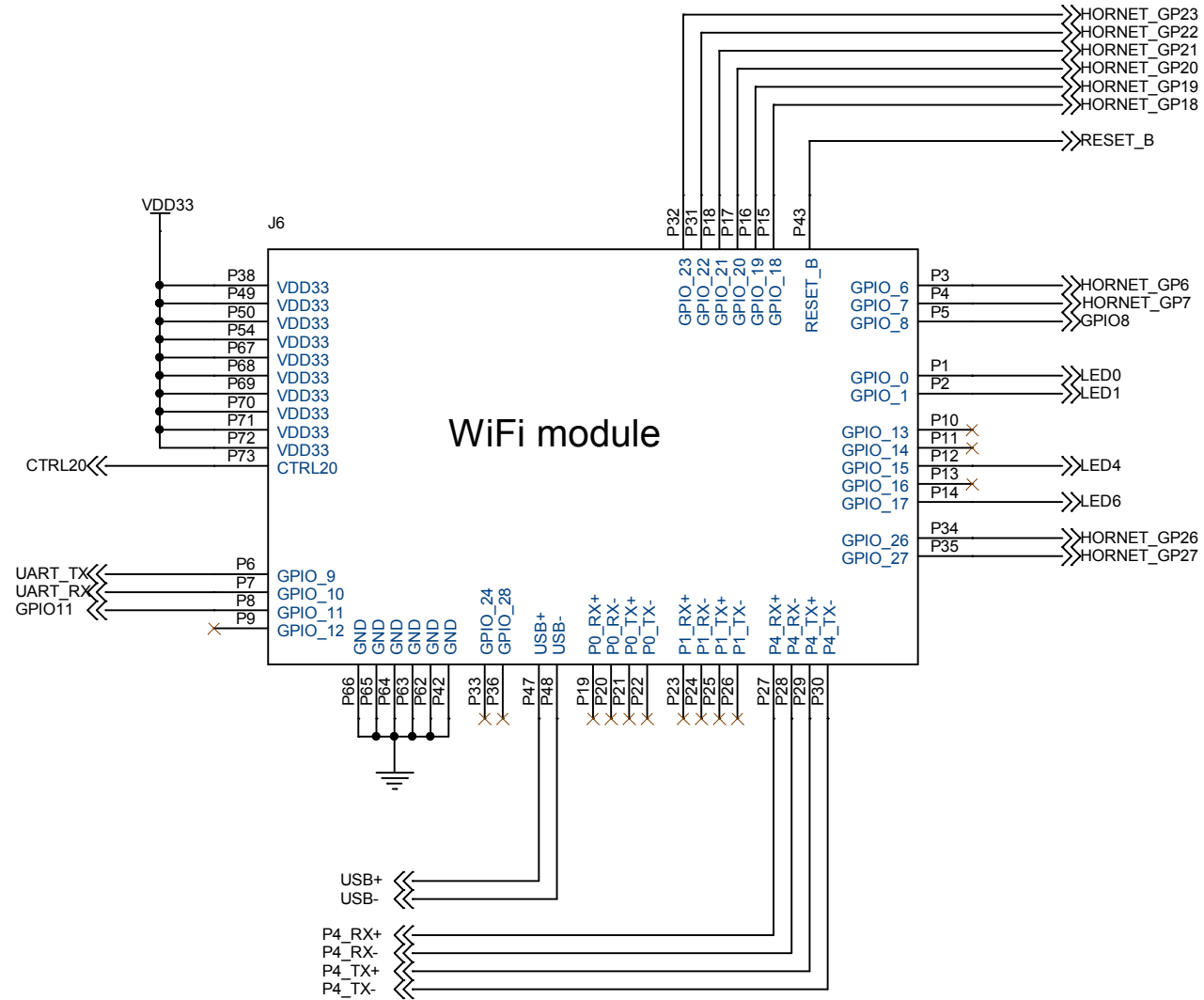



Author = Tony Jin  
 dog hunter Inc.  
 8F-4, No.17, Ln. 91, Sec. 1,  
 Neihu Rd., Neihu Dist., Taipei City  
 Taiwan (R.O.C.)

File: Atmel 32U4

Size: Document Number: \_\_\_\_\_ Rev: \_\_\_\_\_

Date: Wednesday, April 08, 2015 ESheet 2 of 13





Author = Tony Jin  
dog hunter Inc.

8F-4, No.17, Ln. 91, Sec. 1,  
Neihu Rd., Neihu Dist., Taipei City  
Taiwan (R.O.C.)

Title		
WIFI module		
Size	Document Number	Rev
Date:	Wednesday, April 08, 2015	Sheet 2 of 13