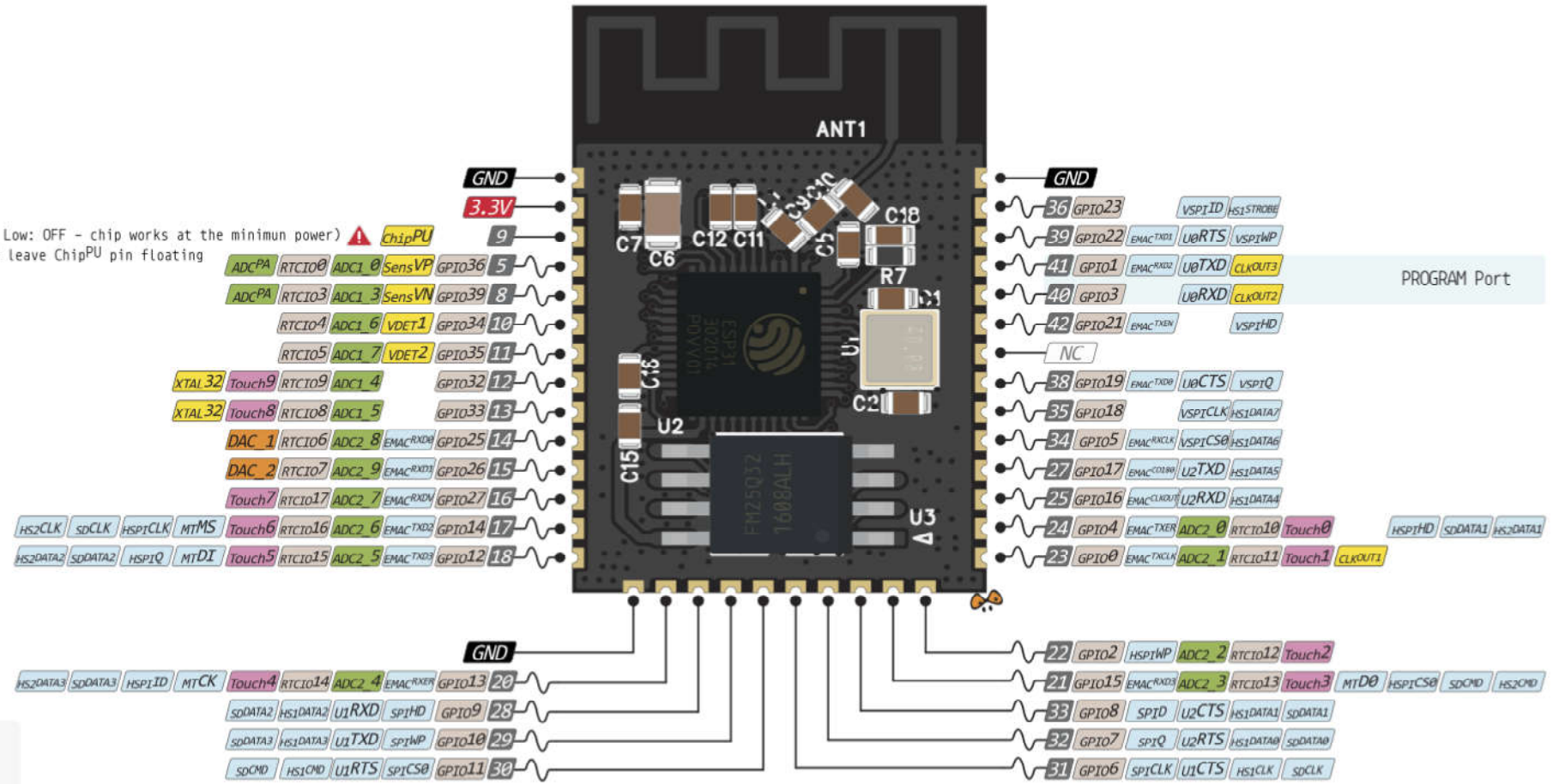


WROOM32

PINOUT

⚠ Absolute MAX per pin 12mA recommended 6mA

Chip Enabled (High:ON, Low: OFF - chip works at the minimum power) ⚠ **ChipPU**
Do not leave ChipPU pin floating



- Power
- GND
- Serial Pin
- Analog Pin
- Control
- Physical Pin
- Port Pin
- Touch Pin
- DAC Pin
- ~ PWM Pin